

Saphir RX/Toric

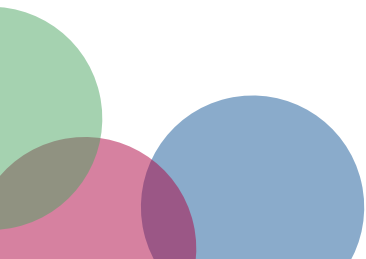
Saphir Rx is a monthly soft contact lens individually made with Silicone Hydrogel, the most advanced material on the market, which maximises oxygen flow to the eye. Its unique combination of comfort, breathability and vision quality suits even the most demanding contact lens user.

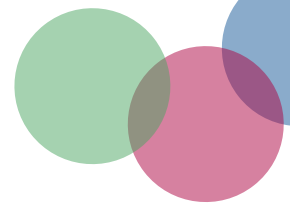


Benefits

- Individually made for each eye in all designs.
- High water content Silicone Hydrogel (75%) with a non-ionic surface.
- HD—for all day clarity and precision.

Material	Filcon V 3, Silicone hydrogel Non-ionic surface	Sphere (D)	+30.00 to -30.00
Manufacturing Process	Lathe Cut	Cylinder (D)	-0.75 to - 8.00
Water content	75 %	DK (ISO 9913-1-1998)	60
Base Curve	6.80 to 9.80	Axes (°)	All
Diameter	13.00 to 16.00 mm	Trial lens available as single blister in all parameters	

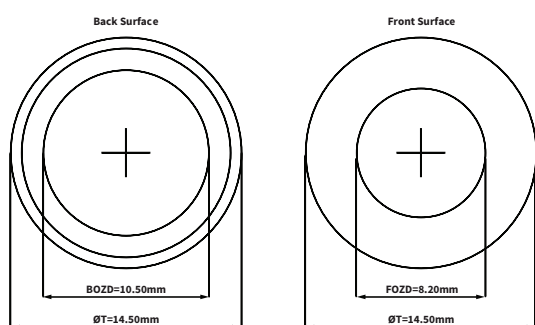




Fitting guide Saphir RX

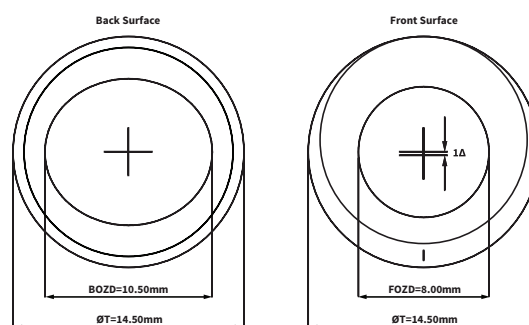
Diameter (mm)	13.00	13.50	14.00	14.50	15.00	15.50	16.00
Base curve (mm)	6.80 – 8.90	7.10 – 9.20	7.40 – 9.50	7.70 – 9.80	8.00 – 9.80	8.30 – 9.80	8.60 – 9.80
Base curve fitting	KM +0.0	KM +0.1	KM +0.3	KM +0.5	KM +0.7	KM +0.9	KM +1.1

6 Spheric*



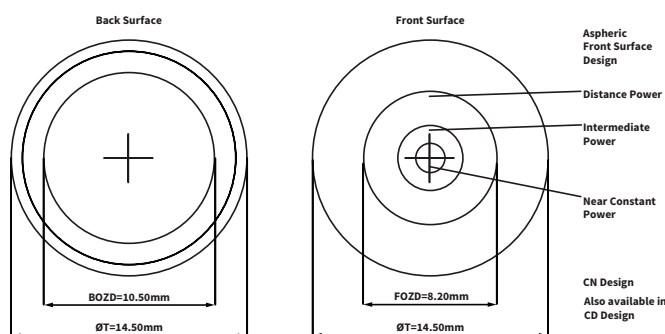
ØT=13.00 to 16.00mm
CT=0.12mm

5 Toric**



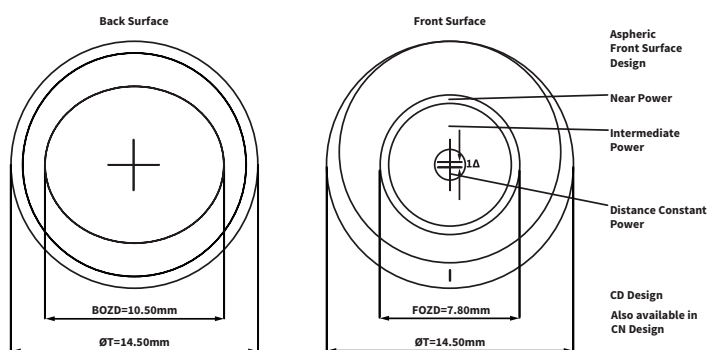
ØT=13.00 to 16.00mm
CT=0.12mm

3 Multifocal ***



ØT=13.00 to 16.00mm
CT=0.15mm

4 Multifocal Toric****



ØT=13.00 to 16.00mm
CT=0.15mm

34 Multifocal & Multifocal Toric - CD & CN

* Based on Sph - 3.00
 ** Based on Sph - 3.00 Cyl -2,75
 *** Based on Sph - 3.00 Add 2.00
 **** Based on Sph - 3.00 Cyl -1.25 Add 2.00

Myopia - Low Hypermetropia

Hypermetropia > +0.75D

Dominant eye

Non-dominant Eye

Dominant eye

Non-dominant Eye



CD: Centre Distance

CN: Center Near

CN Design for both eyes